

# PRODUCT INFORMATION PACKET

Model No: 5KC35MN73

Catalog No: G1513

1/3 HP General Purpose Motor, 1 phase, 1800 RPM, 115/230 V, 56C Frame, TEFC  
Single Phase TEFC Motors



Regal and Marathon are trademarks of Regal Beloit Corporation or one of its affiliated companies.  
©2020 Regal Beloit Corporation, All Rights Reserved. MC017097E

REGAL

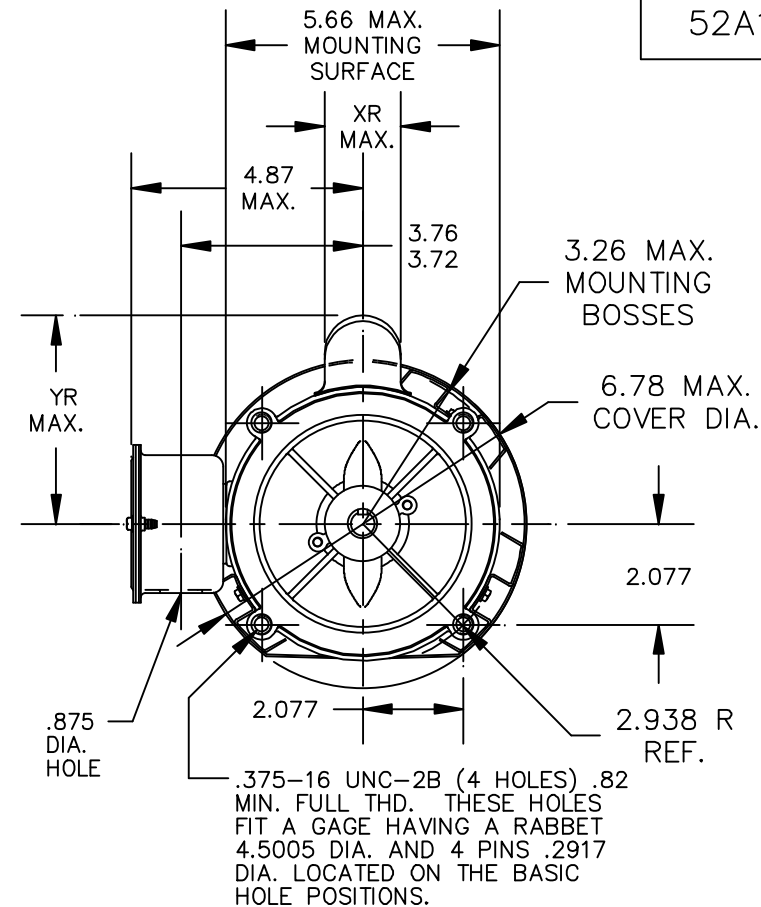
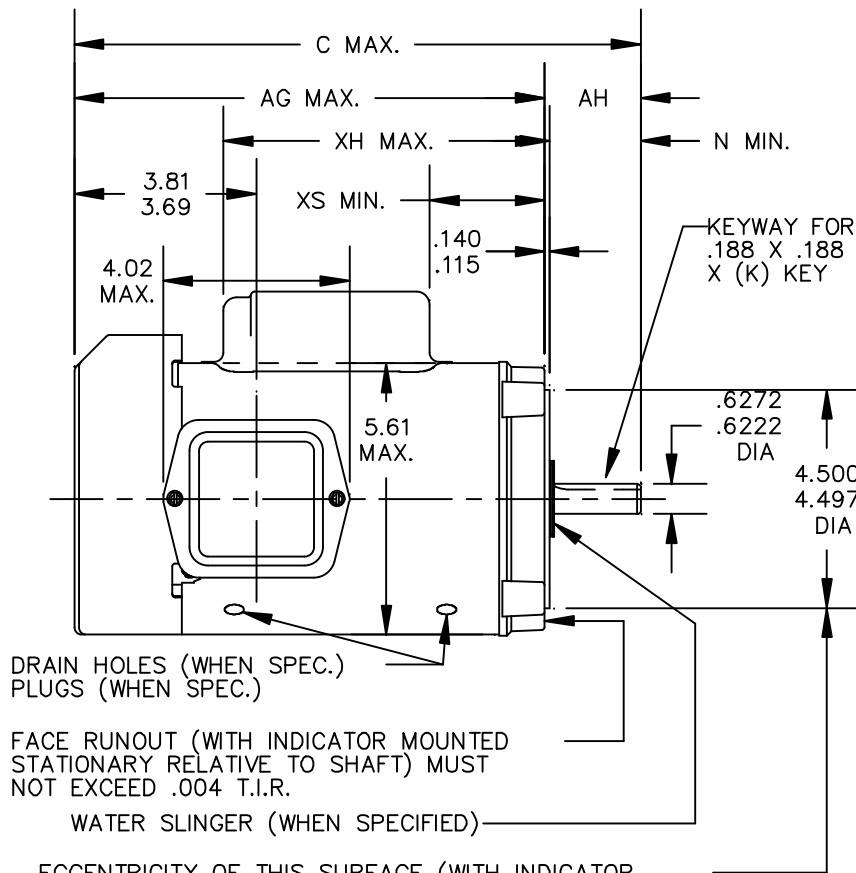
### Nameplate Specifications

Output HP	0.33 Hp	Output KW	0.25 kW
Frequency	60 Hz	Voltage	115/230 V
Current	6.0,3.0 A	Speed	1725 rpm
Service Factor	1.15	Phase	1
Efficiency	63.8 %	Power Factor	0
Duty	Continuous	Insulation Class	B
KVA Code	L	Frame	56C
Enclosure	Totally Enclosed Fan Cooled	Thermal Protection	N/R
Ambient Temperature	40 °C	Drive End Bearing Size	6203
Opp Drive End Bearing Size	6203	UL	Recognized
CSA	Yes	CE	N

### Technical Specifications

Electrical Type	Capacitor Start Induction Run	Starting Method	SM
Poles	4	Rotation	Counterclockwise/Clockwise
Mounting	Round	Motor Orientation	ANY
Drive End Bearing	LOCKED	Opp Drive End Bearing	Ball
Frame Material	Rolled Steel	Overall Length	10.9 in
Frame Length	5.79 in	Shaft Diameter	0.630 in
Shaft Extension	1.88 in		
Connection Drawing	52A105381BA	Outline Drawing	52A102402P3

This is an uncontrolled document once printed or downloaded and is subject to change without notice. Date Created:03/11/2020



10	KC	32	56C	10.30	8.22	5.94	1.56	1.60	4.34	2.12/2.00	1.88	1.38
9	KC	38	56C	12.36	10.20	7.02	2.03	1.60	4.34	2.12/2.00	1.88	1.38
8	KC	35	56C	10.93	8.85	6.20	1.77	2.22	4.96	2.12/2.00	1.88	1.38
7	KC	37	56C	12.26	9.68	7.02	1.43	1.60	4.34	2.62/2.50	2.38	1.38
6	KC	33	56C	10.55	8.47	5.81	1.43	2.22	4.96	2.12/2.00	1.88	1.38
5	KC	37	56C	11.76	9.68	7.02	1.43	1.60	4.34	2.12/2.00	1.88	1.38
4	KC	36	56C	11.36	9.23	6.62	1.43	1.60	4.34	2.12/2.00	1.88	1.38
3	KC	35	56C	10.93	8.85	6.19	1.81	1.60	4.34	2.12/2.00	1.88	1.38
2	KC	33	56C	10.55	8.47	5.81	1.43	1.60	4.34	2.12/2.00	1.88	1.38
1	KC	32	56C	10.30	8.22	5.56	1.18	1.60	4.34	2.12/2.00	1.88	1.38
P	TYPE	RBC SIZE	NEMA FR	C	AG	XH	XS	XR	YR	AH	N	K

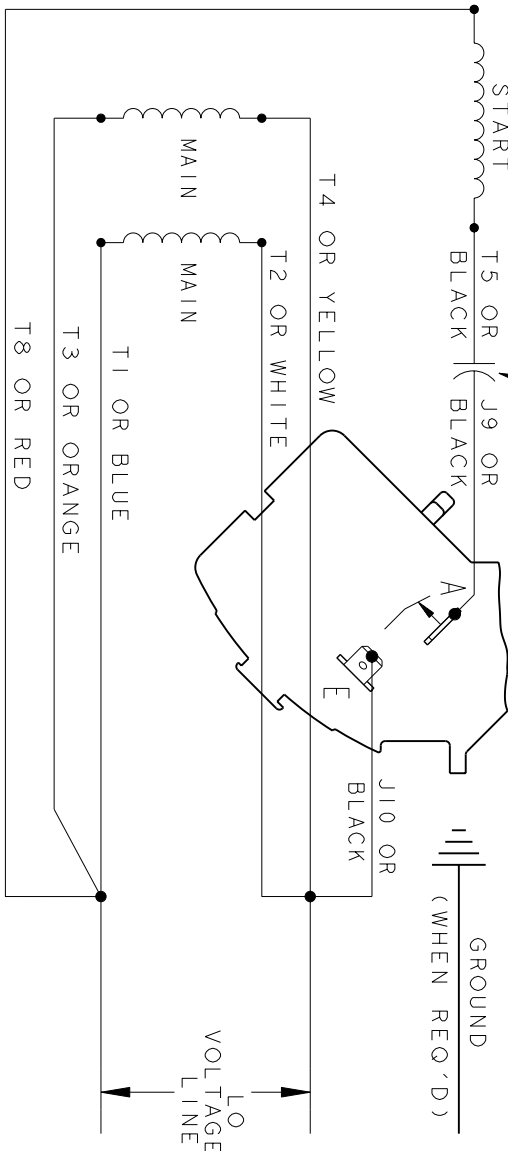
				TOLERANCES UNLESS SPECIFIED					DRAWN B.A.C 08/30/77				
				DEC.	INCHES		REGAL-BELOIT CORPORATION					CHK	
15	RE DRAWN IN DRAFTSIGHT -NO CHANGES		GR 09/08/12	PKG	.X	±0.1		TITLE OUTLINE TOTALLY ENCLOSED - OUTBOARD FAN - R2 END MOUNT					APPD B.L.J 05/04/93
14	CHG TO RBC FOMAT AS PER IS05-1777		GOV 01/02/06		.XX	±0.02							SCALE 1=1
13	REVISED LOCATION OF "XH" DIM.		M.D.P12/14/98		.XXX	±0.005		REF					
12	ADDED PT#10		B.L.J 06/25/93		.XXXX	±0.0005		FMF					
NO.	REVISION	BY & DATE	CHK	ANG	±1.0		FINISH	PREV					
THIS DRAWING IN DESIGN AND DETAIL IS OUR PROPERTY AND MUST NOT BE USED EXCEPT IN CONNECTION WITH OUR WORK ALL RIGHTS OF DESIGN AND INVENTION ARE RESERVED THIS IS AN ELECTRONICALLY GENERATED DOCUMENT - DO NOT SCALE THIS PRINT				RFP	CAD FILE 52A102402			SIZE A	DRAWING NO. 52A102402	REV. 15			
				DIST									



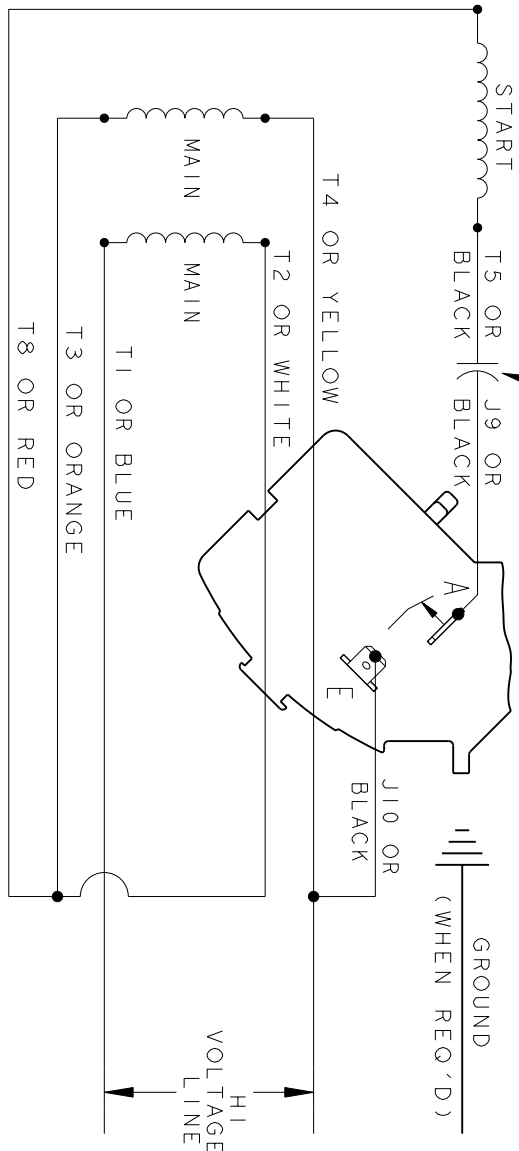
REV.	DESCRIPTION	DATE	APPROVED
3	UPDATED FORMAT	01/04/06	MAM

CCW/CW ROTATION - DUAL VOLTAGE  
TYPE KC OR KH

CAPACITOR AS SHOWN FOR KC MOTORS ONLY. LEAD T5 BLACK CONNECTED DIRECTLY TO TERMINAL BOARD FOR KH MOTORS.



CAPACITOR AS SHOWN FOR KC MOTORS ONLY. LEAD T5 BLACK CONNECTED DIRECTLY TO TERMINAL BOARD FOR KH MOTORS.



NOTE#1 - TO REVERSE ROTATION, INTERCHANGE T8 RED AND J10 BLACK LEADS.  
NOTE#2 - WHEN MORE THAN ONE CAPACITOR IS USED, CONNECT IN PARALLEL.

SWITCH (H) - 115D958AA

REF. DIAG. - 113A326  
CONNECTION LABEL - 52X332917

SIGNATURES		DATE	
MODEL	M.D. PAPER	06/29/87	
DETAIL			
CHECKED			
ENGRG			
MFG			
QUALITY			
ISSUED	M.D.P.	06/29/87	
APPLIED PRACTICES			
DIMENSIONS ARE IN INCHES			
MATERIAL	SOLID MODEL: 52A105381BA		

TITLE		SCALE: 1.000		REF. No.:	
REGAL-BELOIT CORPORATION		A			
CONNECTION DIAGRAM		FME:		30 FRAME SWITCH REDESIGN	
52A105381BA		REV		3	
SHEET 1 of 1					